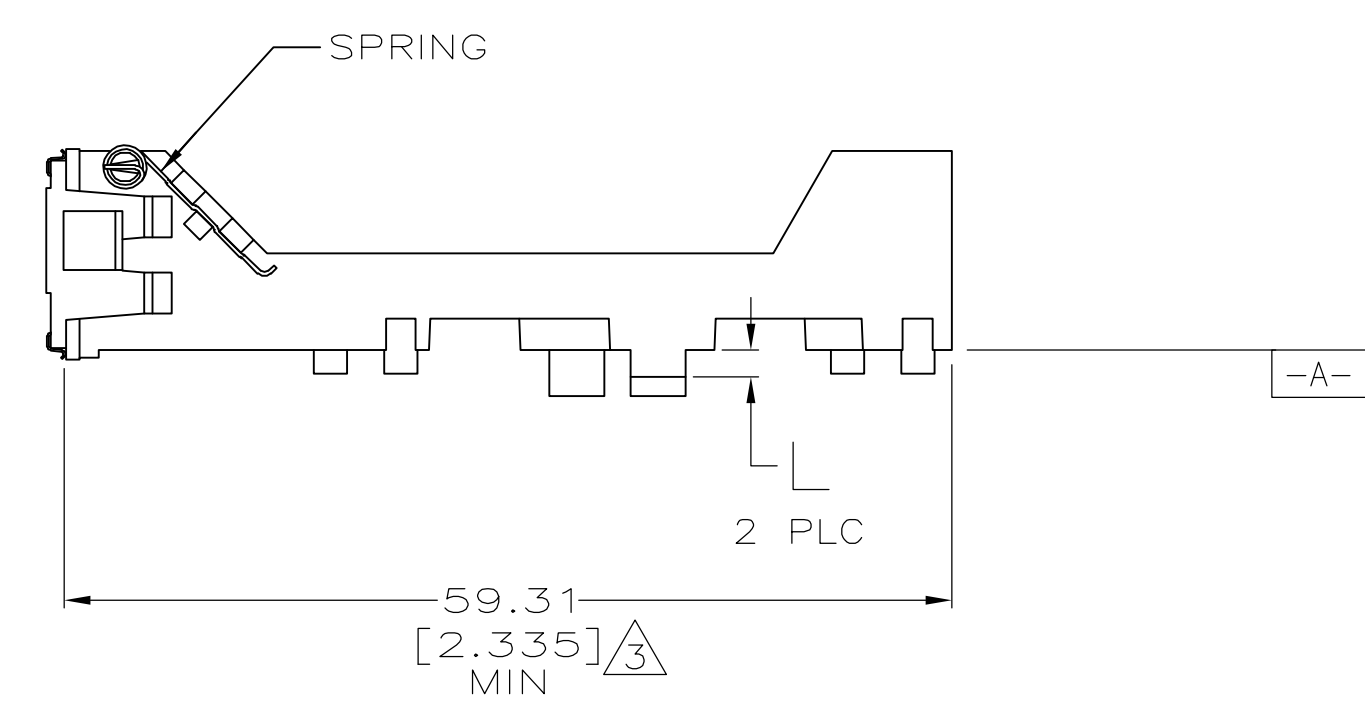
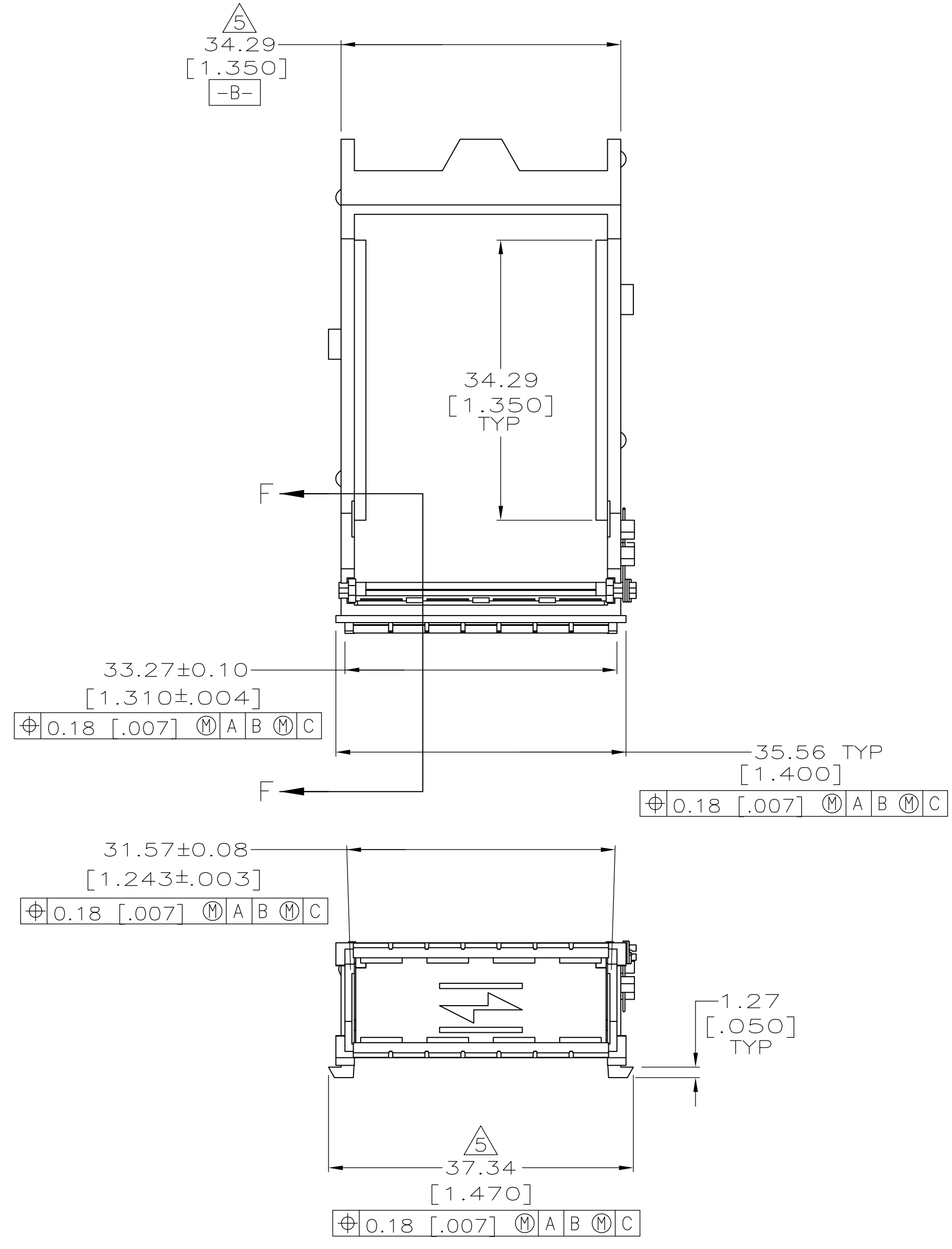
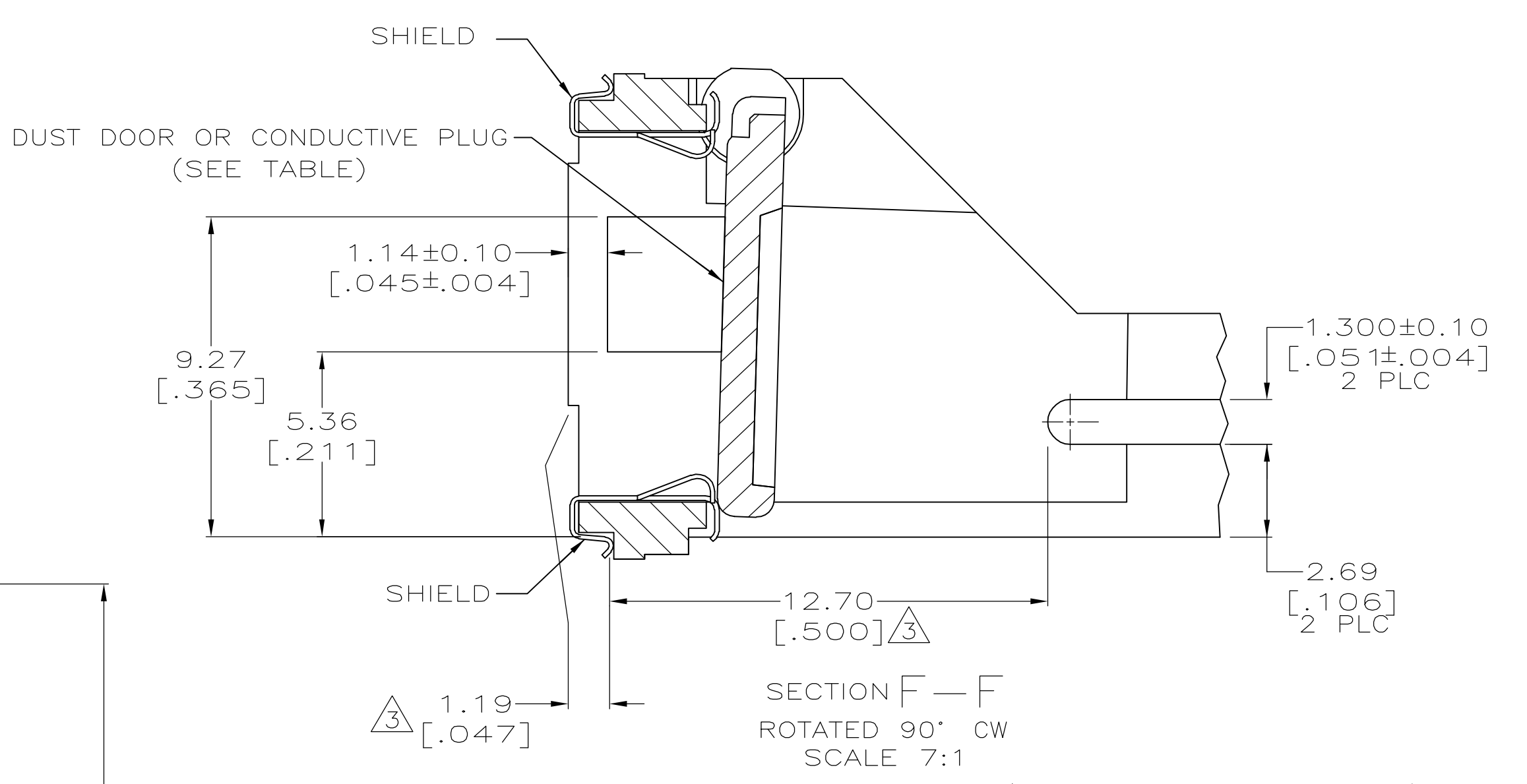
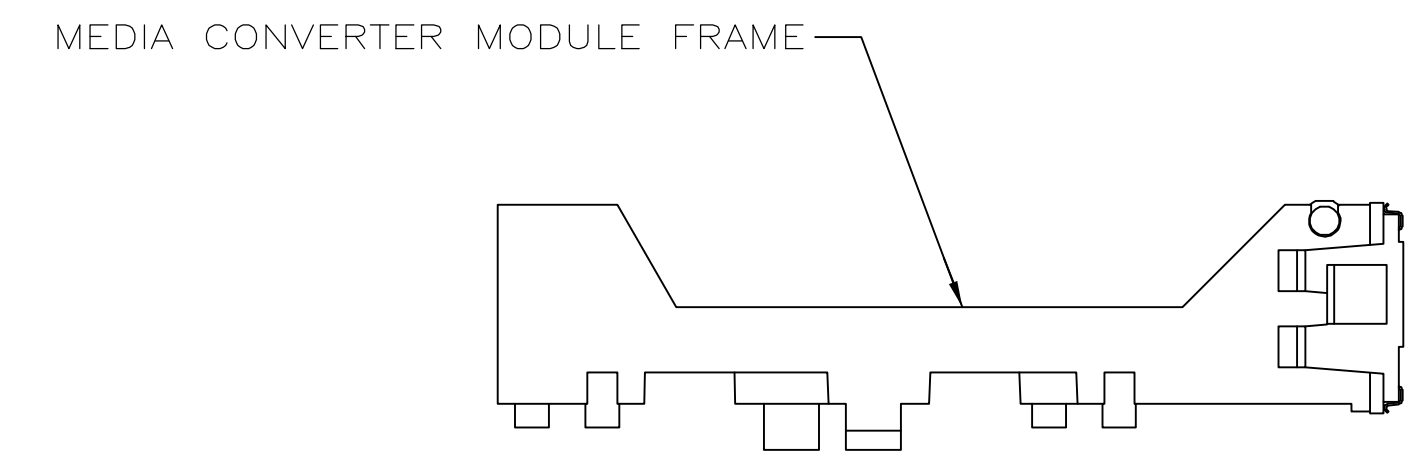


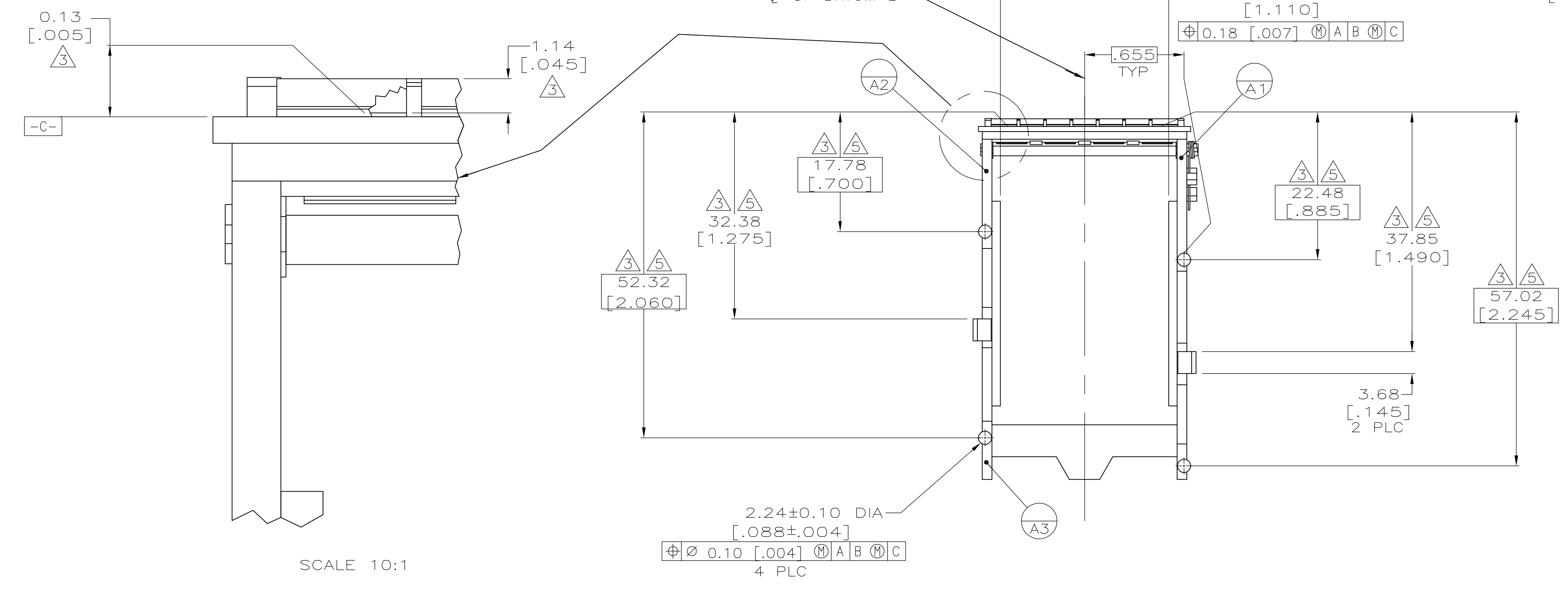
LOC		DIST		REVISIONS			
P	LTR	DESCRIPTION	DATE	OWN	APVD		
T1		REVISED PER ECO-05-009847	10FEB06	BM	SS		



- ⚠ DUST DOOR: ZINC ALLOY (-3,-4,-5), HTN POLYMER (-6,-7,-8).  
 CONDUCTIVE PLUG: ABS (1-2,1-3,1-4).  
 MEDIA CONVERTER MODULE FRAME: NYLON, BLACK.  
 EMI SHIELD: PHOSPHOR BRONZE.  
 SPRING: STAINLESS STEEL.
- ⚠ METAL DUST DOOR: 2.54µm [.000100] MIN NICKEL OVER  
 5.08µm [.000200] MIN COPPER.  
 EMI SHIELD: 1.27µm [.000050] MIN NICKEL.
- ⚠ DIMENSION APPLIES TO FRONT OF SHIELD.
- ⚠ LOWER EDGE OF PANEL OPENING IS 0.15 [.006] BELOW TOP OF PCB FOR HORIZONTAL APPLICATION.
- ⚠ DIMENSION APPLIES WHEN ASSEMBLED TO PRINTED CIRCUIT BOARD.



OBsolete	CONDUCTIVE PLUG	2.26±0.05 [.089±.002]	1-787663-4
OBsolete	CONDUCTIVE PLUG	2.77±0.05 [.109±.002]	1-787663-3
OBsolete	CONDUCTIVE PLUG	1.80±0.05 [.071±.002]	1-787663-2
OBsolete	NO DOOR OR PLUG	2.26±0.05 [.089±.002]	1-787663-1
OBsolete	NO DOOR OR PLUG	2.77±0.05 [.109±.002]	1-787663-0
OBsolete	NO DOOR OR PLUG	1.80±0.05 [.071±.002]	787663-9
OBsolete	PLASTIC DOOR	2.26±0.05 [.089±.002]	787663-8
OBsolete	PLASTIC DOOR	2.77±0.05 [.109±.002]	787663-7
OBsolete	PLASTIC DOOR	1.80±0.05 [.071±.002]	787663-6
OBsolete	METAL DOOR	2.26±0.05 [.089±.002]	787663-5
	METAL DOOR	2.77±0.05 [.109±.002]	787663-4
	METAL DOOR	1.80±0.05 [.071±.002]	787663-3
OBsolete	METAL DOOR	2.77±0.05 [.109±.002]	787663-2
OBsolete	METAL DOOR	1.80±0.05 [.071±.002]	787663-1
	DUST DOOR OR CONDUCTIVE PLUG		L
			PART NUMBER



SCALE 10:1

THIS DRAWING IS A CONTROLLED DOCUMENT.

DIMENSIONS: mm (INCHES)	TOLERANCES UNLESS OTHERWISE SPECIFIED:	0 PLC ± -	1 PLC ± -	2 PLC ± 0.13 [.005]	3 PLC ± -	4 PLC ± -	ANGLES ± -
-------------------------	--	-----------	-----------	---------------------	-----------	-----------	------------

MATERIAL: ⚠ FINISH: ⚠

THIS DRAWING IS A CONTROLLED DOCUMENT. DWN: COBERMAN 11 APR 96  
 CHK: R. STONE 15 APR 96  
 APVD: J. SWANK 17 APR 96

tyco Electronics Tyco Electronics Corporation  
 Harrisburg, PA 17105-3608

NAME: GUIDE ASSEMBLY, MEDIA CONVERTER MODULE, CHAMP BLINDMATE

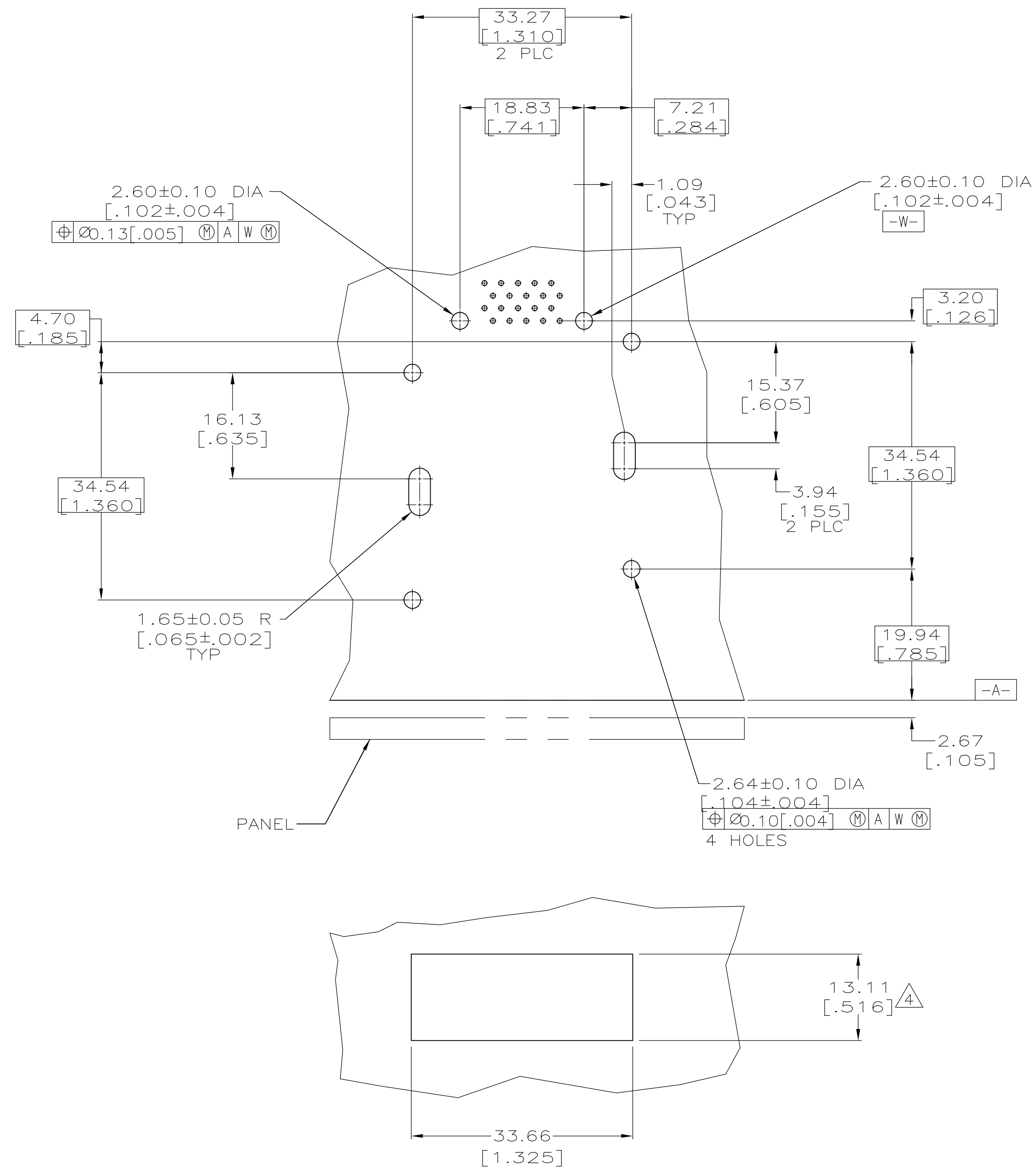
SIZE: A1 CAGE CODE: 00779 DRAWING NO: C=787663 RESTRICTED TO: -

WEIGHT: -

CUSTOMER DRAWING SCALE: 2:1 SHEET 1 OF 2 REV: T1

THIS DRAWING IS UNPUBLISHED. RELEASED FOR PUBLICATION  
 © COPYRIGHT BY TYCO ELECTRONICS CORPORATION. ALL RIGHTS RESERVED.

LOC		DIST		REVISIONS			
P	LTR	DATE	DWN	APVD	DESCRIPTION		
GP	00				SEE SHEET 1		



RECOMMENDED HOST CARD FOOTPRINT/PANEL CUTOUT

THIS DRAWING IS A CONTROLLED DOCUMENT.		DWN C.OBERMAN 11 APR 96	 Tyco Electronics Corporation Harrisburg, PA 17105-3608
DIMENSIONS: mm [INCHES]		CHK R.STONE 15 APR 96	
TOLERANCES UNLESS OTHERWISE SPECIFIED:		APVD J.SWANK 17 APR 96	NAME
0 PLC ± -	1 PLC ± -	PRODUCT SPEC	GUIDE ASSEMBLY, MEDIA
2 PLC ± 0.13 [.005]	3 PLC ± -	APPLICATION SPEC	CONVERTER MODULE, CHAMP BLINDMATE
4 PLC ± -	ANGLES ± -	WEIGHT	RESTRICTED TO
MATERIAL	FINISH	CUSTOMER DRAWING	SCALE 2:1 SHEET 2 OF 2 REV T1